

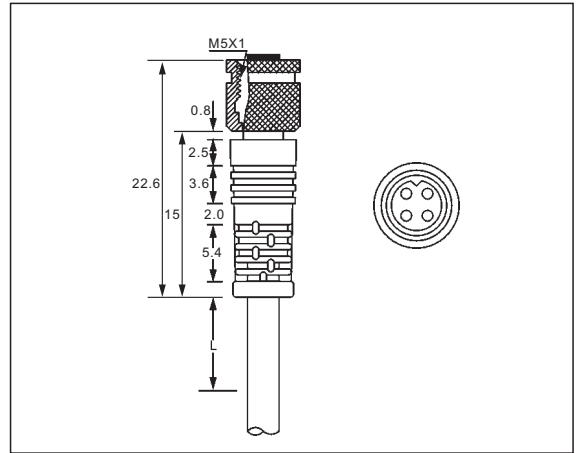
ULTRA MINI-STYLE QUICK DISCONNECT CABLES

View



- Female ultra mini-style
- Straight
- Screw locking with (auto) securing safety nut
- With moulded cable

Dimensional data



Technical Data

Application Class: HNE acc.to DIN 40040
(-25°C/+90°C/≤75%rF)

Moulded Body: TPU, self-extinguishing

Nominal Power: 4A

Nominal Voltage: 60VAC/75VDC

Contact: CuZn, pre-nickeled and
0.8microns gold-plated

O-Ring: Viton

Body: TPU, self-extinguishing

Securing Safety Nut: Nickel plated brass

Protection: IP 67

Contact Resistance: ≤5mΩ

Insulation Group: C acc.to VDE 0110

Test Voltage: 1.5KV eff./60s.

Insulation Resistance: >10⁹Ω

Catalog Number

Part-No	Poles	Face View Female	Color Code	Conductors		Outer Jacket	
				Guage	Stranding	φ mm	Material
M-FS4/3TZV1182	4		1=brown 2=- 3=blue 4=black	0.18mm ²	36xφ0.08	3.0	PVC
M-FS4/3TZY1192	4		1=brown 2=- 3=blue 4=black	0.18mm ²	36xφ0.08	3.0	PUR/PVC
M-FS4TZV1202	4		1=brown 2=white 3=blue 4=black	0.18mm ²	36xφ0.08	3.0	PVC
M-FS4TZY1212	4		1=brown 2=white 3=blue 4=black	0.18mm ²	36xφ0.08	3.0	PUR/PVC

Standard length: 2.0 m, 5.0 m, 7.5 m, 10.0 m. Other cable length or cable specifications on request.

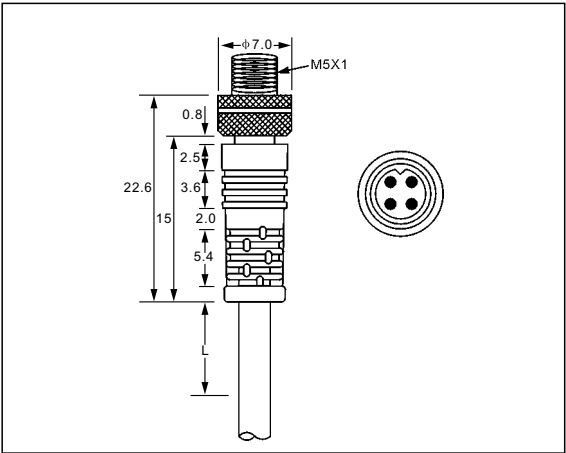
ULTRA MINI-STYLE QUICK DISCONNECT CABLES

View



- Male ultra mini-style
- Straight
- Screw locking with (auto) securing safety nut
- With moulded cable

Dimensional data



Technical Data

Application Class: HNE acc.to DIN 40040
 (-25°C/+90°C/≤75%rF)
 Moulded Body: TPU, self-extinguishing
 Nominal Power: 4A
 Nominal Voltage: 60VAC/75VDC
 Contact: CuZn, pre-nickeled and 0.8microns gold-plated
 O-Ring: Viton

Body: TPU, self-extinguishing
 Securing Safety Nut: Nickel plated brass
 Protection: IP 67
 Contact Resistance: ≤5m Ω
 Insulation Group: C acc.to VDE 0110
 Test Voltage: 1.5KV eff./60s.
 Insulation Resistance: >10⁹ Ω

Catalog Number

Part-No	Poles	Face View male	Color Code	Conductors		Outer Jacket	
				Guage	Stranding	φ mm	Material
M-MS4/3TZV1182	4		1=brown 2=- 3=blue 4=black	0.18mm ²	36xφ0.08	3.0	PVC
M-MS4/3TZY1192	4		1=brown 2=- 3=blue 4=black	0.18mm ²	36xφ0.08	3.0	PUR/PVC
M-MS4TZV1202	4		1=brown 2=white 3=blue 4=black	0.18mm ²	36xφ0.08	3.0	PVC
M-MS4TZY1212	4		1=brown 2=white 3=blue 4=black	0.18mm ²	36xφ0.08	3.0	PUR/PVC

Standard length: 2.0 m, 5.0 m, 7.5 m, 10.0 m. Other cable length or cable specifications on request.

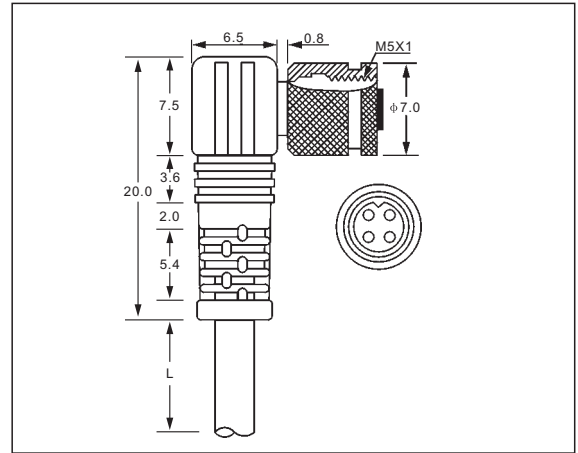
ULTRA MINI-STYLE QUICK DISCONNECT CABLES

View



- Female ultra mini-style
- Right angle
- Screw locking with (auto) securing safety nut
- With moulded cable

Dimensional data



Technical Data

Application Class: HNE acc.to DIN 40040
(-25°C/+90°C/≤75%rF)

Moulded Body: TPU, self-extinguishing

Nominal Power: 4A

Nominal Voltage: 60VAC/75VDC

Contact: CuZn, pre-nickeled and
0.8microns gold-plated

O-Ring: Viton

Body: TPU, self-extinguishing

Securing Safety Nut: Nickel plated brass

Protection: IP 67

Contact Resistance: ≤5m Ω

Insulation Group: C acc.to VDE 0110

Test Voltage: 1.5KV eff./60s.

Insulation Resistance: >10⁹ Ω

Catalog Number

Part-No	Poles	Face View Female	Color Code	Conductors		Outer Jacket	
				Guage	Stranding	φ mm	Material
M-FA4/3TZV1182	4		1=brown 2=- 3=blue 4=black	0.18mm ²	36xφ0.08	3.0	PVC
M-FA4/3TZY1192	4		1=brown 2=- 3=blue 4=black	0.18mm ²	36xφ0.08	3.0	PUR/PVC
M-FA4TZV1202	4		1=brown 2=white 3=blue 4=black	0.18mm ²	36xφ0.08	3.0	PVC
M-FA4TZY1212	4		1=brown 2=white 3=blue 4=black	0.18mm ²	36xφ0.08	3.0	PUR/PVC

Standard length: 2.0 m, 5.0 m, 7.5 m, 10.0 m. Other cable length or cable specifications on request.

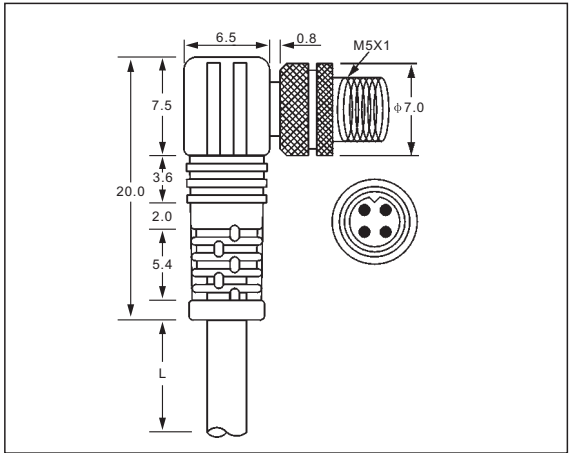
ULTRA MINI-STYLE QUICK DISCONNECT CABLES

View



- Male ultra mini-style
- Right angle
- Screw locking with (auto) securing safety nut
- With moulded cable

Dimensional data



Technical Data

Application Class: HNE acc.to DIN 40040
 (-25°C/+90°C/≤75%rF)
 Moulded Body: TPU, self-extinguishing
 Nominal Power: 4A
 Nominal Voltage: 60VAC/75VDC
 Contact: CuZn, pre-nickeled and 0.8microns gold-plated
 O-Ring: Viton

Body: TPU, self-extinguishing
 Securing Safety Nut: Nickel plated brass
 Protection: IP 67
 Contact Resistance: ≤5m Ω
 Insulation Group: C acc.to VDE 0110
 Test Voltage: 1.5KV eff./60s.
 Insulation Resistance: >10⁹ Ω

Catalog Number

Part-No	Poles	Face View male	Color Code	Conductors		Outer Jacket	
				Guage	Stranding	φ mm	Material
M-MA4/3TZV1182	4		1=brown 2=- 3=blue 4=black	0.18mm ²	36xφ0.08	3.0	PVC
M-MA4/3TZY1192	4		1=brown 2=- 3=blue 4=black	0.18mm ²	36xφ0.08	3.0	PUR/PVC
M-MA4TZV1202	4		1=brown 2=white 3=blue 4=black	0.18mm ²	36xφ0.08	3.0	PVC
M-MA4TZY1212	4		1=brown 2=white 3=blue 4=black	0.18mm ²	36xφ0.08	3.0	PUR/PVC

Standard length: 2.0 m, 5.0 m, 7.5 m, 10.0 m. Other cable length or cable specifications on request.